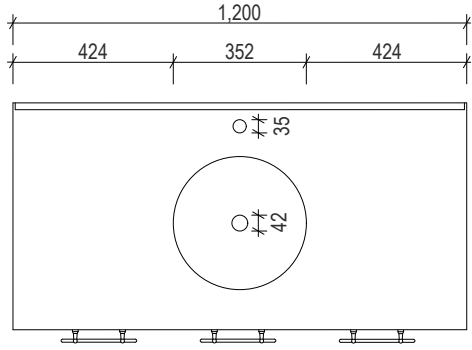
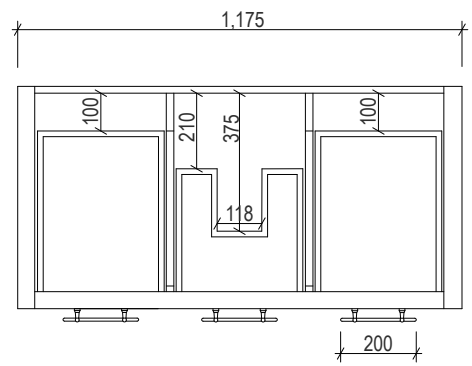
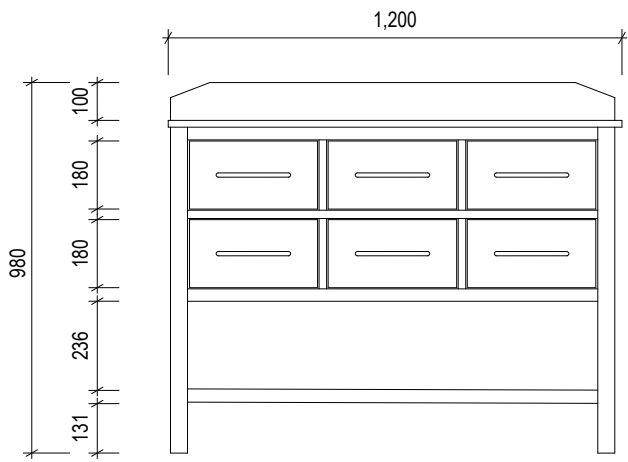




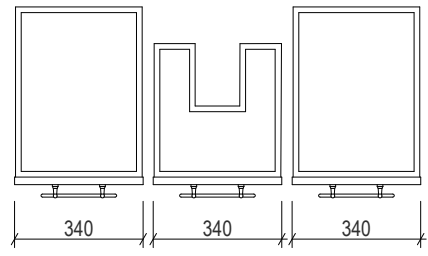
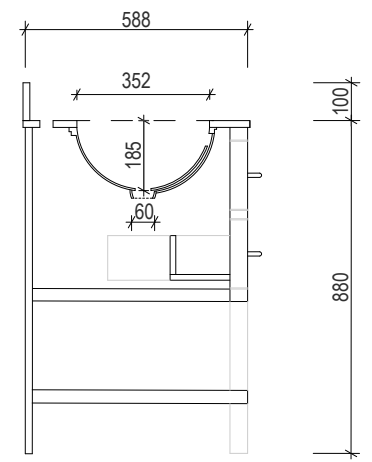
100  
880



80  
352  
600  
106



588



**Vanity By Design**  
ABN: 99 121 837 143

**Brisbane Address:**  
241 Monier Road, Darra QLD 4076

**Phone:** Brisbane (07) 3376 6055

**Email:** [enquiries@vanitybydesign.com.au](mailto:enquiries@vanitybydesign.com.au)  
**Website:** <https://www.vanitybydesign.com.au/>

Name:	Montauk 1200
Size :	1200 (W) mm x 600 (D) mm x 880 (H) mm
Type:	Freestanding
Cabinet Material:	Solid Sustainable Plantation Timber
Basin Material:	Ceramic under-mount basin with overflow protection
Bench Top Finish:	Carrara white marble or Emperador marble
Splashback:	Removable splashback (NOT FULLWIDTH SPLASHBACK)
Taphole Options:	No taphole, 1 taphole or 3 tapholes
Vanity Colour Options:	Black, White, South Hampton Grey, Duck Egg, Grey Garden

**Note:**  
Mirrors, Wastes and Tapware not included.  
Plumbing fixtures must be installed by a qualified plumber (waste not supplied).  
Vanity must be installed by a qualified tradesperson.  
Failure to do so may void the warranty.  
Vanity By Design vanities include a 5 year warranty on cabinets and tapware and 12 month warranty on tops, basins, mirrors, mirror shelves and mirror cabinets.

**Caution:**  
Component may be heavy and require two people to lift.  
Do not stand or sit on vanity.