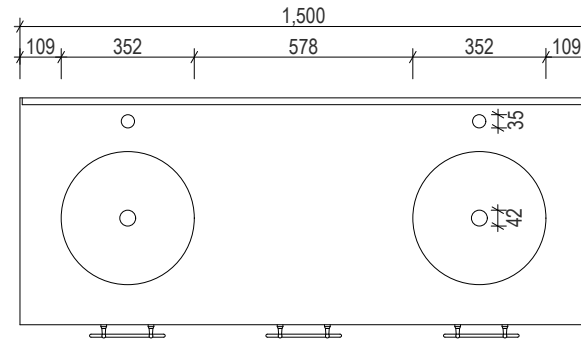
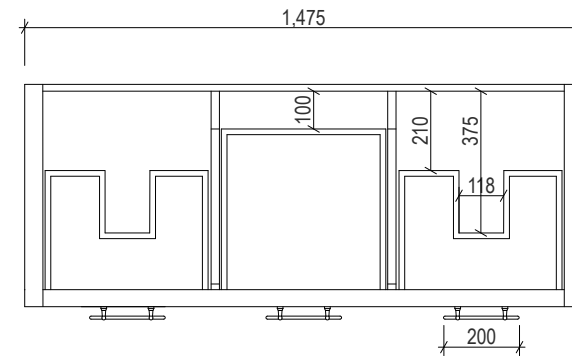


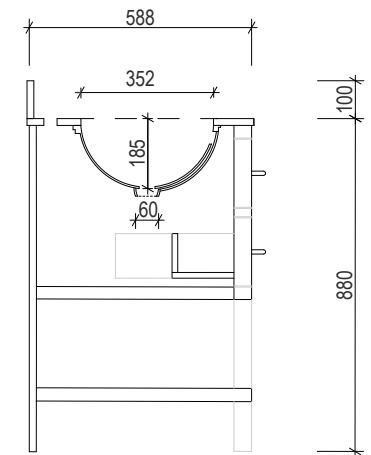
100
880



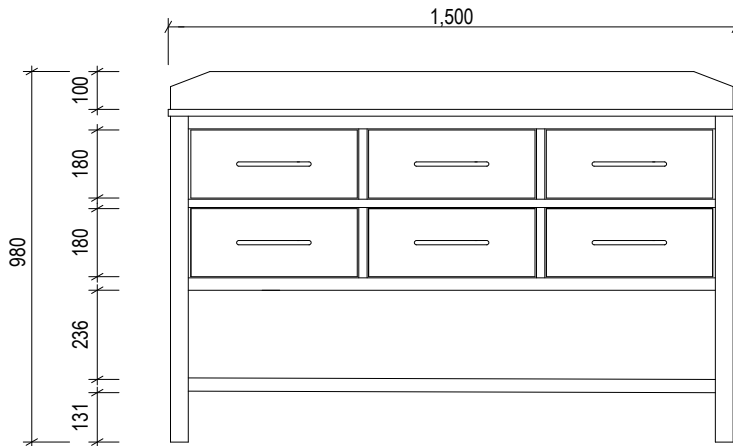
109 352 578 352 109
80 62
352 600
106



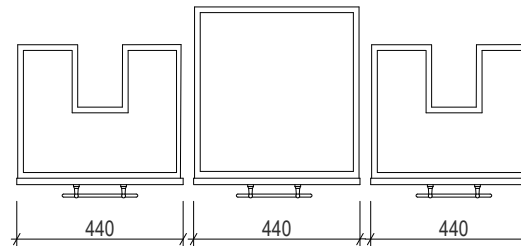
1,475
100 210 375 118
588
200



588
352
185
160
100
880



1,500
100
180
180
236
131
980



370 450
20



Vanity By Design

ABN: 99 121 837 143

Brisbane Address:
241 Monier Road, Darra QLD 4076

Phone: Brisbane (07) 3376 6055

Email: enquiries@vanitybydesign.com.au
Website: <https://www.vanitybydesign.com.au/>

| | |
|------------------------|---|
| Name: | Montauk 1500 Double |
| Size : | 1500 (W) mm x 600 (D) mm x 880 (H) mm |
| Type: | Freestanding |
| Cabinet Material: | Solid Sustainable Plantation Timber |
| Basin Material: | Ceramic under-mount basins with overflow protection |
| Bench Top Finish: | Carrara white marble or Emperador marble |
| Splashback: | Removable splashback (NOT FULLWIDTH SPLASHBACK) |
| Taphole Options: | 1 taphole or 3 tapholes |
| Vanity Colour Options: | Black, White, South Hampton Grey, Duck Egg, Grey Garden |

Note:

Mirrors, Wastes and Tapware not included.
Plumbing fixtures must be installed by a qualified plumber (waste not supplied).
Vanity must be installed by a qualified tradesperson.
Failure to do so may void the warranty.
Vanity By Design vanities include a 5 year warranty on cabinets and tapware and 12 month warranty on tops, basins, mirrors, mirror shelves and mirror cabinets.

Caution:

Component may be heavy and require two people to lift.
Do not stand or sit on vanity.