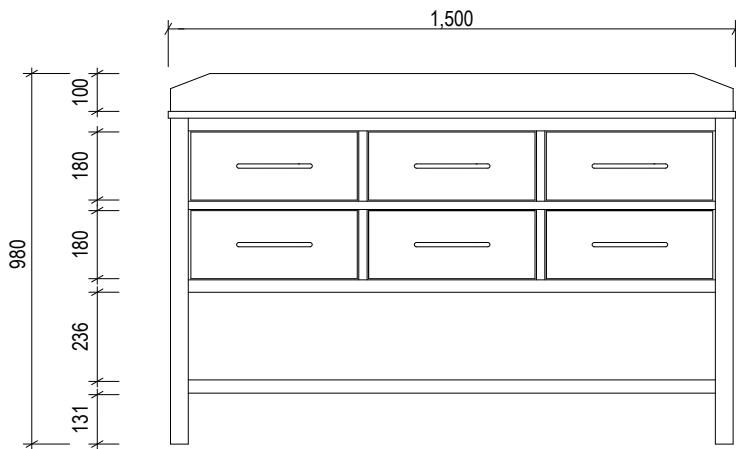
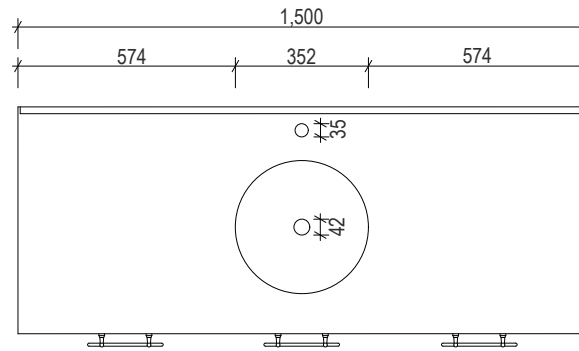


100  
880

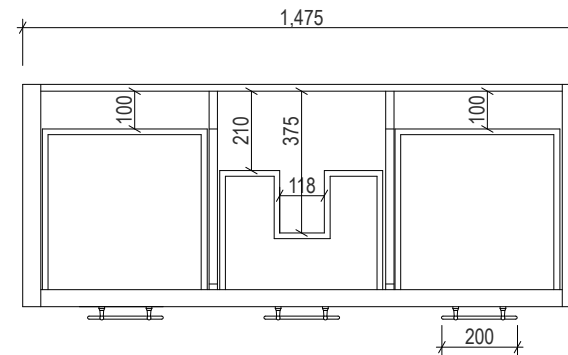


1500  
100  
180  
180  
236  
131  
980



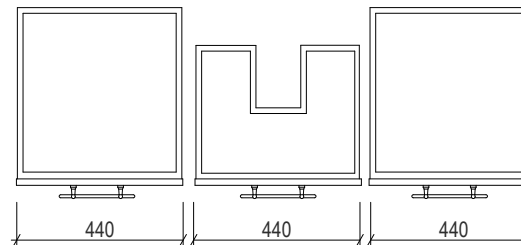
1500  
574 352 574  
35  
42

80  
352  
106  
600



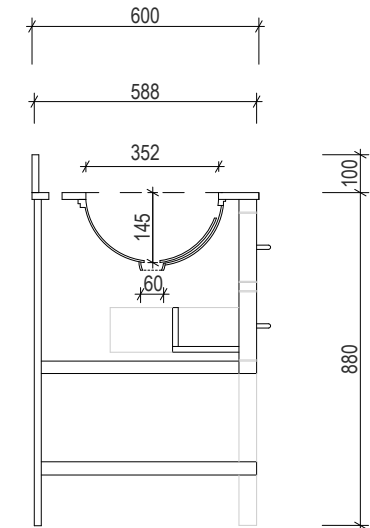
1475  
100 210 375 100  
118  
200

588



440 440 440

370  
450  
20



600  
588  
352  
145  
160  
100  
880



**Vanity By Design**  
ABN: 99 121 837 143

**Brisbane Address:**  
241 Monier Road, Darra QLD 4076

**Phone:** Brisbane (07) 3376 6055

**Email:** [enquiries@vanitybydesign.com.au](mailto:enquiries@vanitybydesign.com.au)  
**Website:** <https://www.vanitybydesign.com.au/>

Name:	Montauk 1500 Single
Size :	1500 (W) mm x 600 (D) mm x 880 (H) mm
Type:	Freestanding
Cabinet Material:	Solid Sustainable Plantation Timber
Basin Material:	Ceramic under-mount basin with overflow protection
Bench Top Finish:	Carrara white marble or Emperador marble
Splashback:	Removable splashback (NOT FULLWIDTH SPLASHBACK)
Taphole Options:	1 taphole or 3 tapholes
Vanity Colour Options:	Black, White, South Hampton Grey, Grey Garden

**Note:**  
Mirrors, Wastes and Tapware not included.  
Plumbing fixtures must be installed by a qualified plumber (waste not supplied).  
Vanity must be installed by a qualified tradesperson.  
Failure to do so may void the warranty.  
Vanity By Design vanities include a 5 year warranty on cabinets and tapware and 12 month warranty on tops, basins, mirrors, mirror shelves and mirror cabinets.

**Caution:**  
Component may be heavy and require two people to lift.  
Do not stand or sit on vanity.